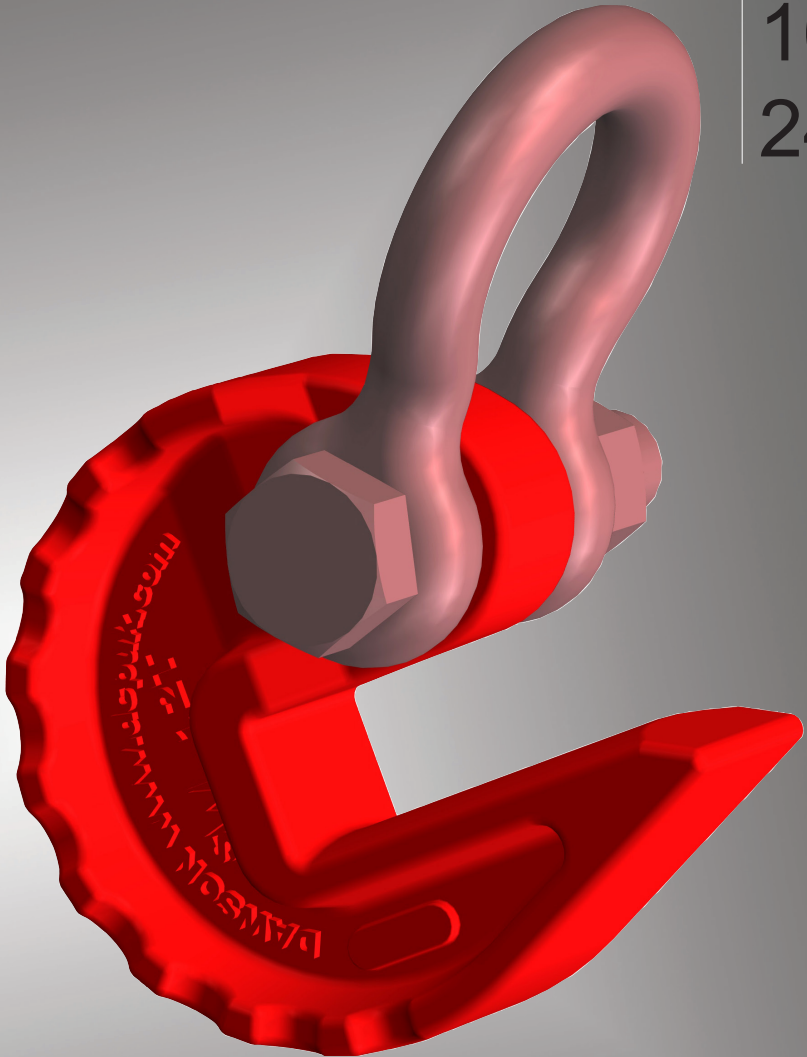


pipe handling shoe

12t
16t
24t



safety lifting equipment

owners manual
operators instructions
spare parts list
safety precautions
maintenance

DAWSON CONSTRUCTION PLANT LTD.
CHESNEY WOLD,
BLEAK HALL
MILTON KEYNES
MK6 1NE, ENGLAND
TEL: +44 (0) 1908 240300
FAX: +44 (0) 1908 240222
EMAIL: JON@DCPUK.COM



DAWSON
CONSTRUCTION PLANT LTD

www.dcpuk.com

contacts

Dawson Construction Plant Ltd
Chesney Wold.
Bleak Hall,
Milton Keynes,
MK6 1NE, England
Tel: +44 (0) 1908 240300
Fax: +44 (0) 1908 240222

www.dcpuk.com

table of contents

Contacts	2
Table of Contents	3
Safety Checklist	4
Training	5
Maintenance	5
Weights & Dimensions	6
Under Separate cover:	
· Individual Test Certificate	
· Pre-Despatch Examination Certificate if test certificate is older than 6 months old.	
· E.C. Declaration of Conformity.	

safety checklist

1. PRE-INSTALLATION CHECKS

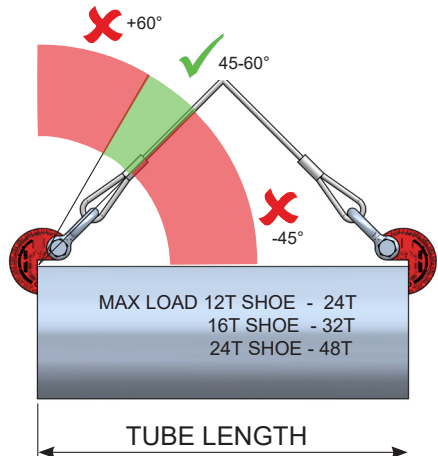
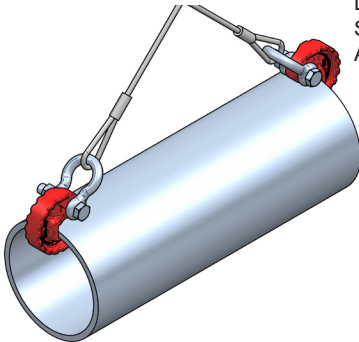
Prior to installing a Pipe Shoe, check the following:

- a. Establish the weight of the lift involved and ensure a shackle with appropriate Safe Working Load is being utilised.
 - b. The Safe Working Load rating of any Shackle or Shoe is based on a “best condition”. For uneven leg loading on slings, dynamic loading during the lift or any other factor that increases component loading, the SWL of the equipment should be de-rated accordingly.
2. Do not modify the Pipe Shoe or any part of the lifting apparatus.
 3. The angle between the two legs of the lifting sling, where applicable should not exceed 90°.

Lifting Angle Range 45-60°

Sling Legs must be of equal length.

Angles less than 45° could result in an over loading of the equipment.



TUBE LENGTH	MIN. SLING LEG LENGTH
5M	3.5M
10M	7M
20M	14M
30M	21M

$$1/2 \text{ TUBE LENGTH} \times 1.414 = \text{MIN SLING LEG LENGTH}$$

4. Ensure that all appropriate laws, bye-laws and regulations are complied with.
5. Ensure the area of pile that the lifting shoe is in contact with is in good condition, i.e. smooth and with no obstructions.
6. As with all lifting equipment, the lifting shoe should be inspected before each lift.

training

Before allowing operators to use the Pipe Shoe, it is important to ensure they have received basic training in lifting and control of heavy loads.

It is strongly recommended that the following areas are included:

1. Basic safety in lifting operations
2. Supervision during lifting operations
3. Dangers and mal-practices

maintenance

The lifting accessory is manufactured from high quality material and designed to offer long service with a minimum of maintenance.

In order to preserve the product in this state, it is necessary to ensure that it is not mis-used or used for purposes outside its recommended use and to carry out regular inspection.

Regular checking that the product has not been distorted due to overload and the lifting shoe is not showing a reduction in any section due to wear of more than 5%. These checks should be performed by a competent person.

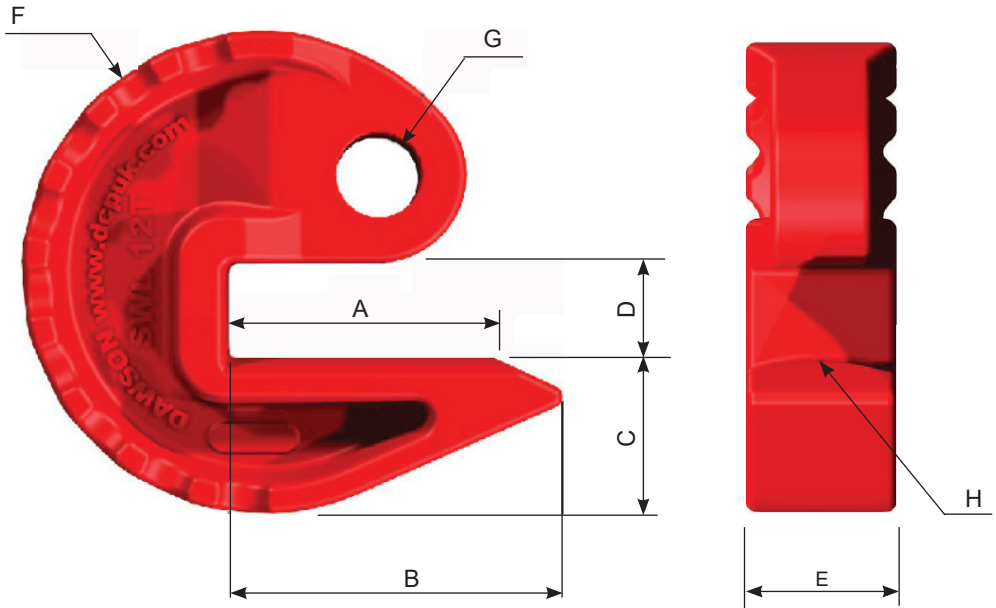
If in any doubt return the item to the manufacturer immediately for a thorough inspection.

Each unit is issued with a test certificate guaranteeing performance.

If the lifting Shoe is modified in any way the test certificate is no longer valid.



weights & dimensions



Model	Dimensions							
	A	B	C	D	E	F	G	H
12 Tonne	140	175	80	50	80	R125	Ø45	R124
16 Tonne	164	190	88	60	100	R143	Ø54	R305
24 Tonne	235	260	122	80	120	187	Ø62	R305

	12 Tonne	16 Tonne	24 Tonne
Part Number	908	909	910
Total Weight of shoe & shackle	25 kg	38.5 kg	67.5 kg
Weight of Shoe	17.25 kg	25 kg	47.5 kg
SWL per pair	24 Tonne	32 Tonne	48 Tonne
SWL Bow Shackle	17 Tonne	25 Tonne	35 Tonne



D.C.P. RESERVES THE RIGHT TO DISCONTINUE EQUIPMENT AT ANY TIME, OR CHANGE SPECIFICATIONS OR DESIGNS WITHOUT NOTICE OR INCURRING OBLIGATIONS

INNOVATIVE PILING EQUIPMENT

HYDRAULIC PILING HAMMERS

EXCAVATOR MOUNTED VIBRATORS

EXCAVATOR MOUNTED DRILLS

QUIET, VIBRATIONLESS PUSH-PULL PILING

PILE EXTRACTION

SHEET PILE GUIDE FRAMES

SHEET PILE CAPPING SYSTEMS

CFA CLEANERS

PILE POINTS & SPLICERS

SAFETY HANDLING / LIFTING EQUIPMENT

SHEET PILE THREADERS

CHAIN CLAMPS

pipe handling shoe

12t / 16t / 24t

DAWSON CONSTRUCTION PLANT LTD.
CHESNEY WOLD,
BLEAK HALL
MILTON KEYNES
MK6 1NE, ENGLAND
TEL: +44 (0) 1908 240300
FAX: +44 (0) 1908 240222
EMAIL: JON@DCPUK.COM



DAWSON
CONSTRUCTION PLANT LTD

www.dcpuk.com